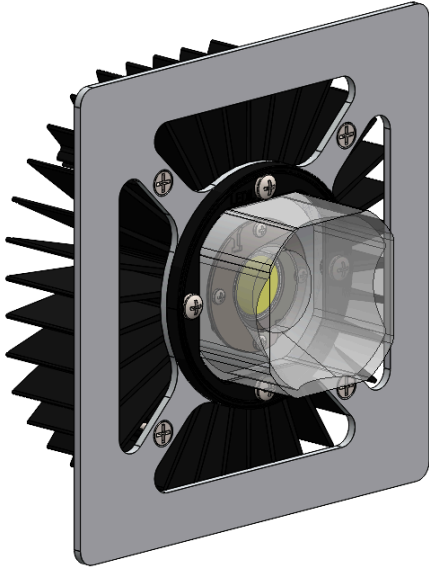
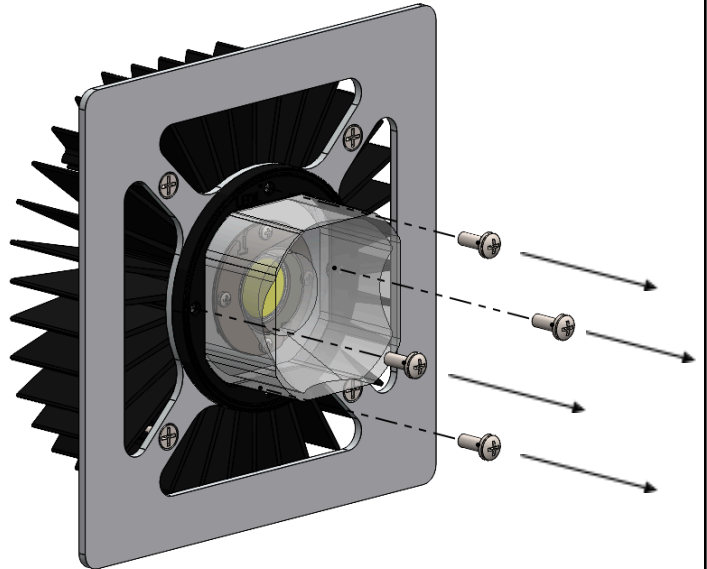


## Glare Cup Installation Guide

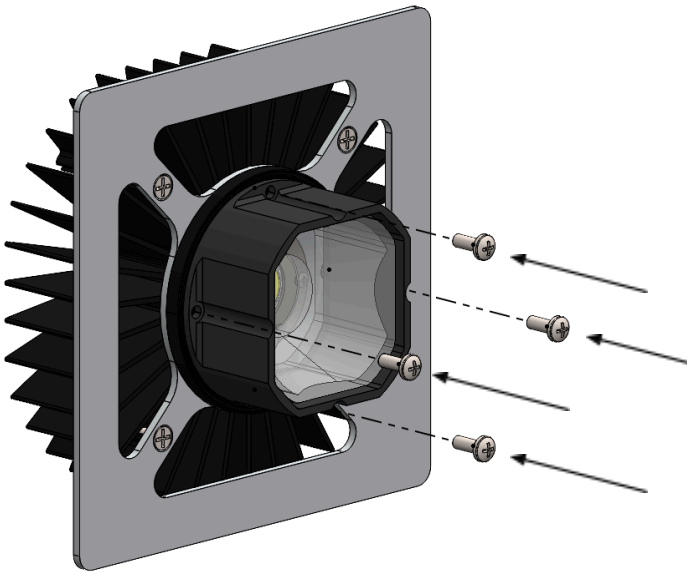
- 1 Power Off:** Disconnect power to light fixture. Locate the 5N optics as shown below and install the glare shield only on those optics.



- 2 Remove Screws:** Unscrew and remove the 4 existing screws. Avoid taking optics fully off and be sure to not touch LEDs.



- 3 Place Glare Cup:** Place the glare cup over the existing optics and retainer.



- 4 Secure Glare Cup:** Refasten the previous screws, tightening to 0.4Nm torque.

