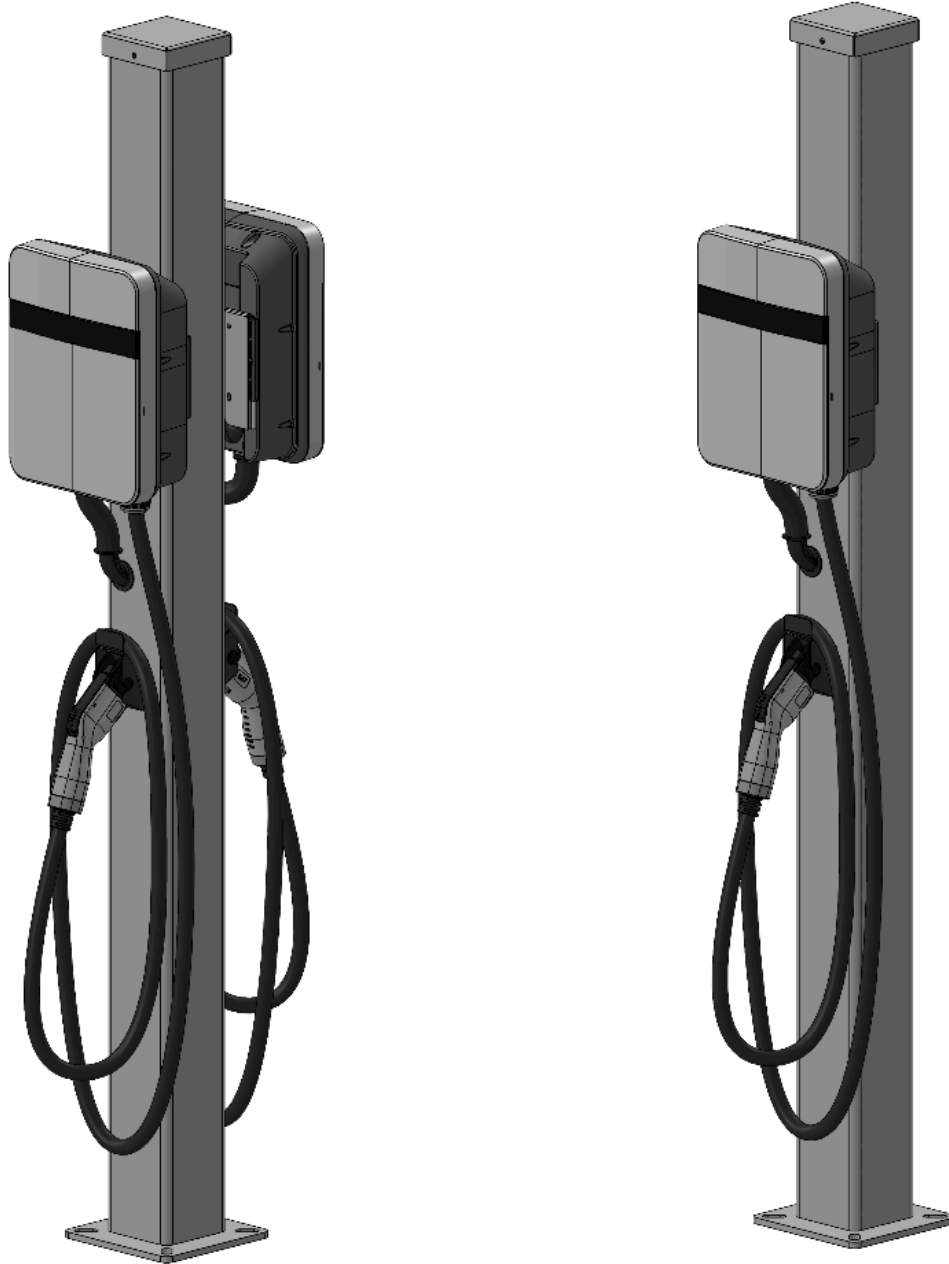
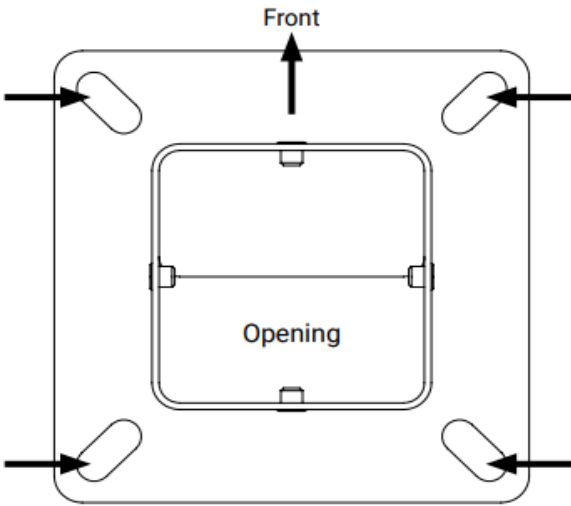


Powerflex 6' Dual Charging Pedestal PFCP-D6-V2 Installation Manual

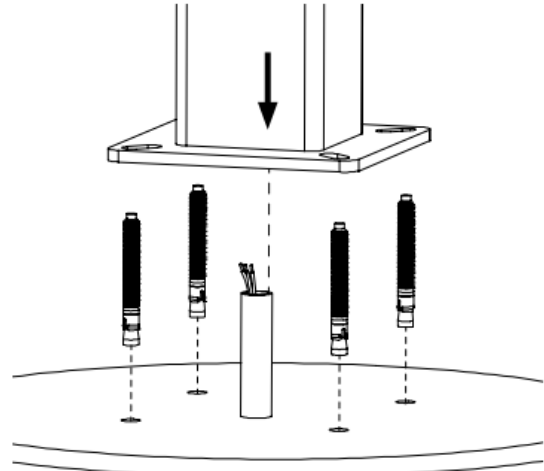


1 Remove the pedestal and accessory kit from the box.

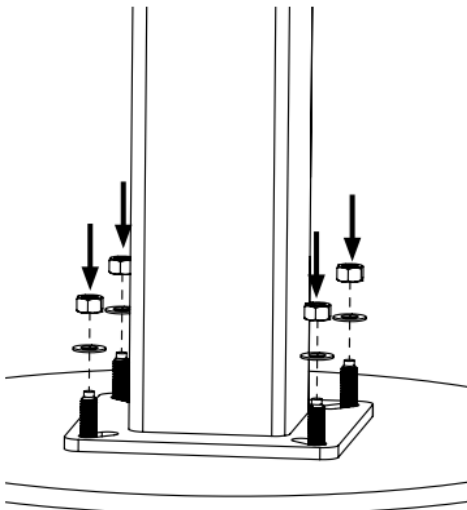
2 Use base plate to locate anchor locations.



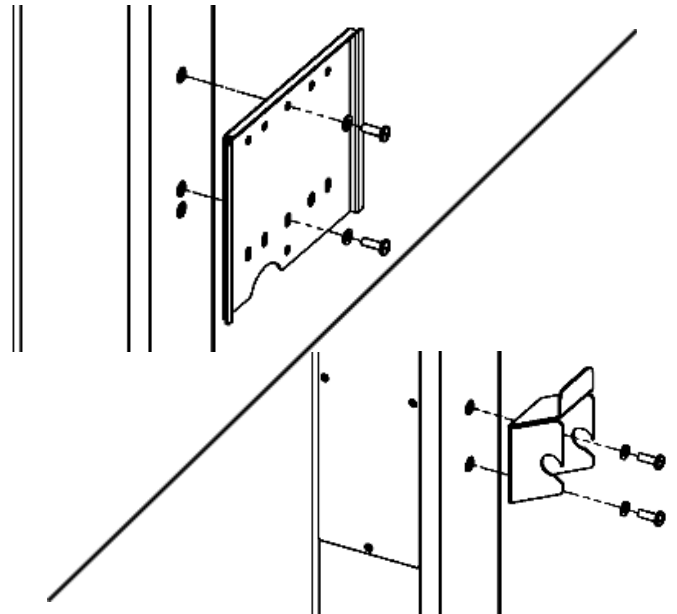
3 Drill anchor holes with 1/2" bit. Install (4X) wedge anchors to a minimum embedment of 2-1/4". Place pedestal on anchors.



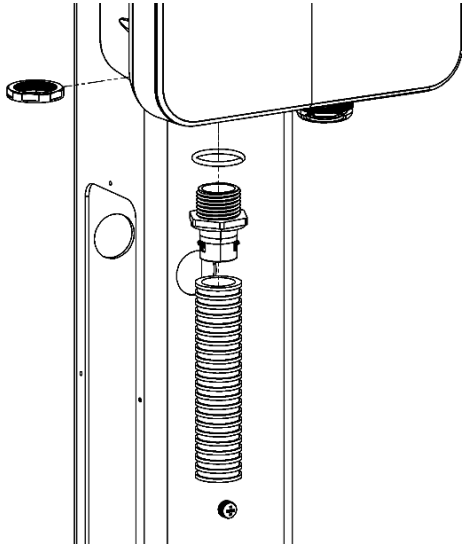
4 Level pedestal. Place (4X) washers and (4X) nuts. Torque nuts to 50-60 ft.-lbs. Install (4X) nut covers.



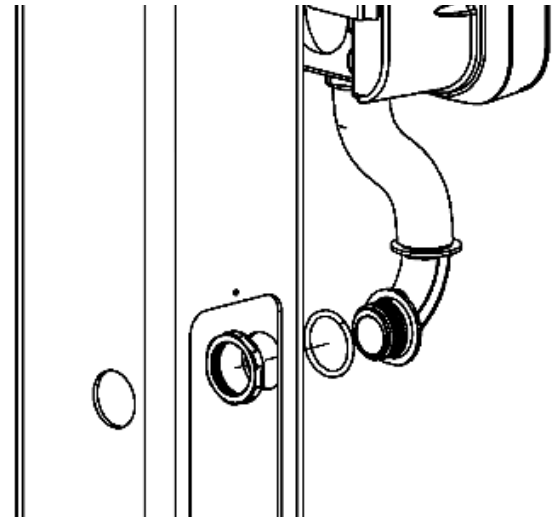
5 Install charger and saddle with (2X) 1/4-20 screws and (2X) 1/4" lock washers each.



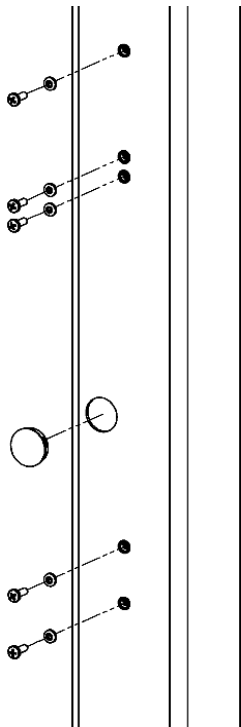
6 Attach straight conduit to the charger using the provided O-ring and locknut. Ensure a secure fit. Next, install the 6" conduit tube.



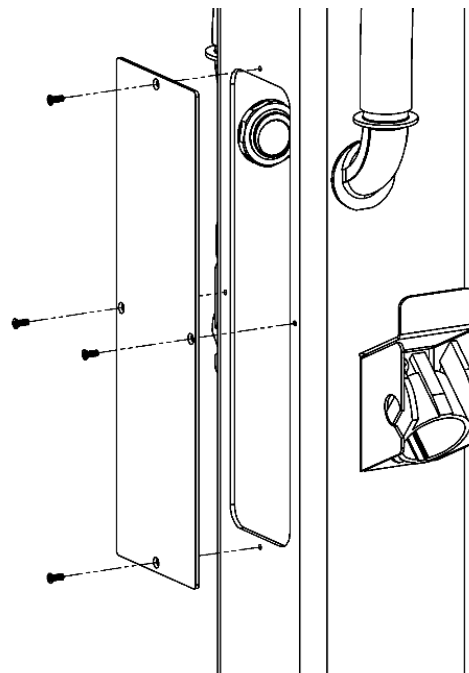
7 Install conduit elbow, O-ring and locknut. Follow Charger Installation Manual for input power cord installation.



8 When utilizing only one side of the pedestal, seal holes with supplied plug and (5X) 1/4" and rubber washers using the same screws from step 5.



9 Install hand hole cover with (4X) #6 flat head screws.



10 Install top cap with (2X) #8 flat head screws.

