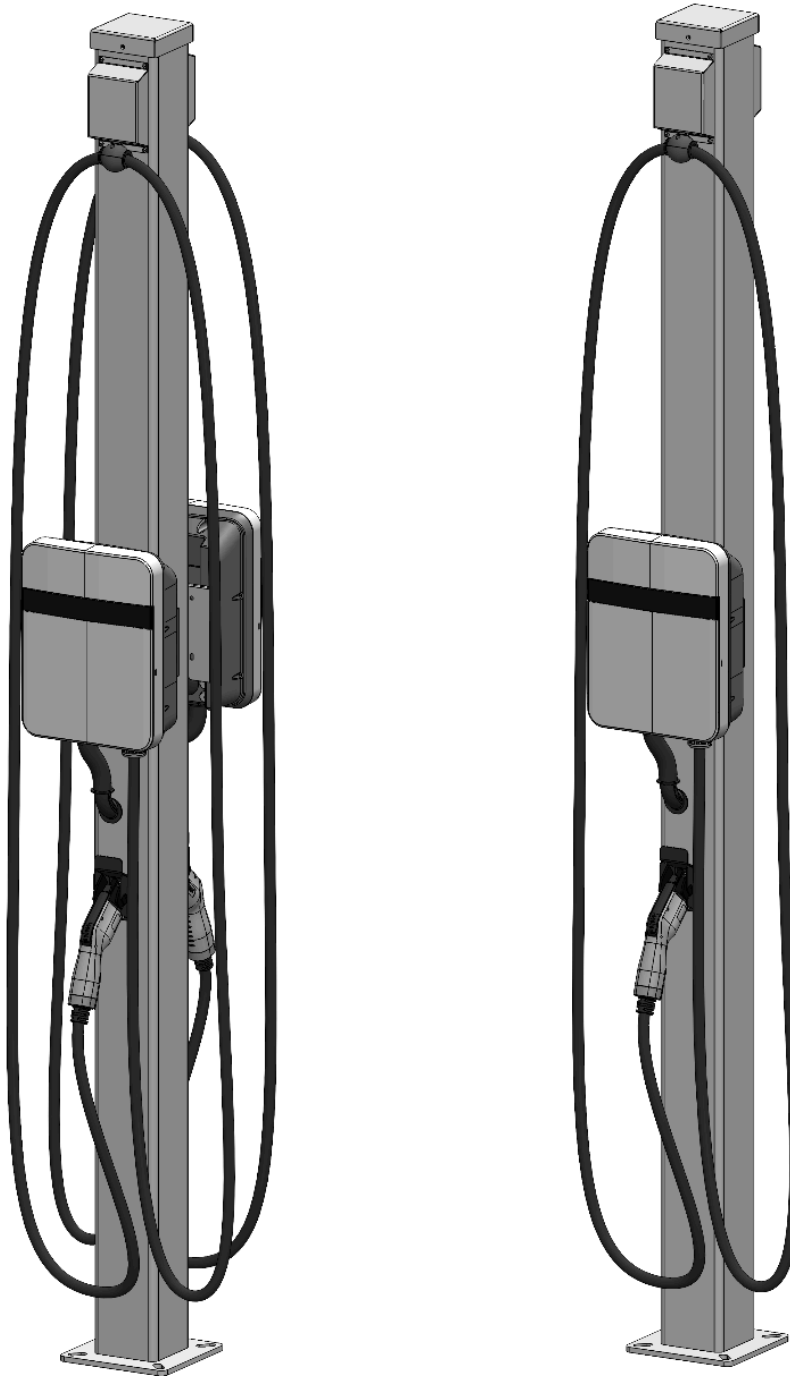


Powerflex 8' Dual Charging Pedestal

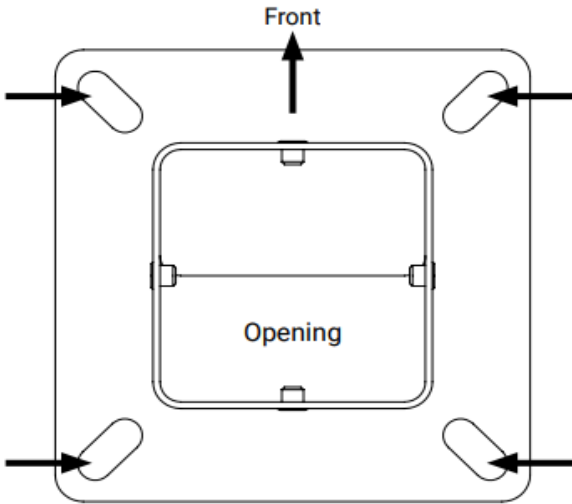
PFCP-D8-V2

Installation Manual

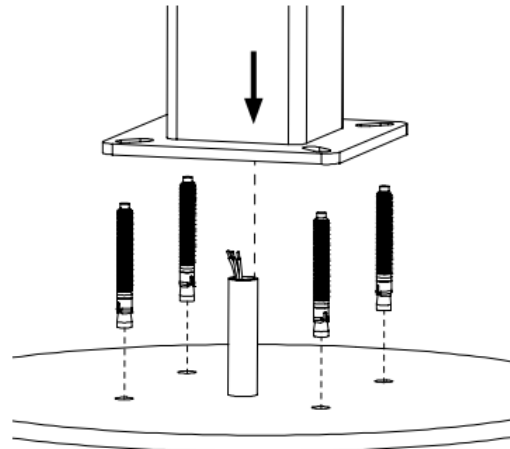


- 1** Remove the pedestal and accessory kit from the box. Remove counterweight cable ties from base. Remove cardboard insert from inside pedestal shaft.

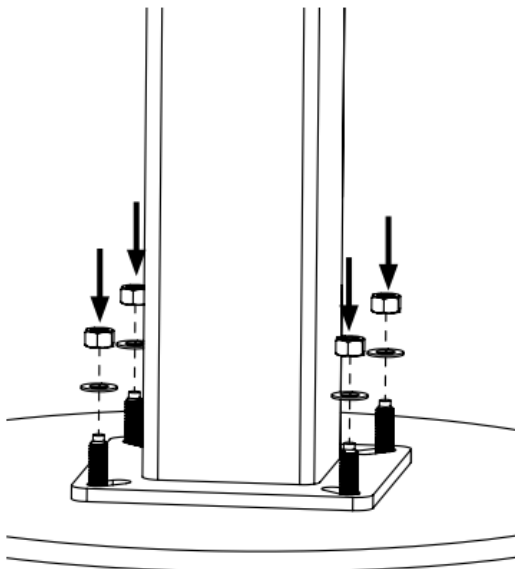
- 2** Use base plate to locate anchor locations.



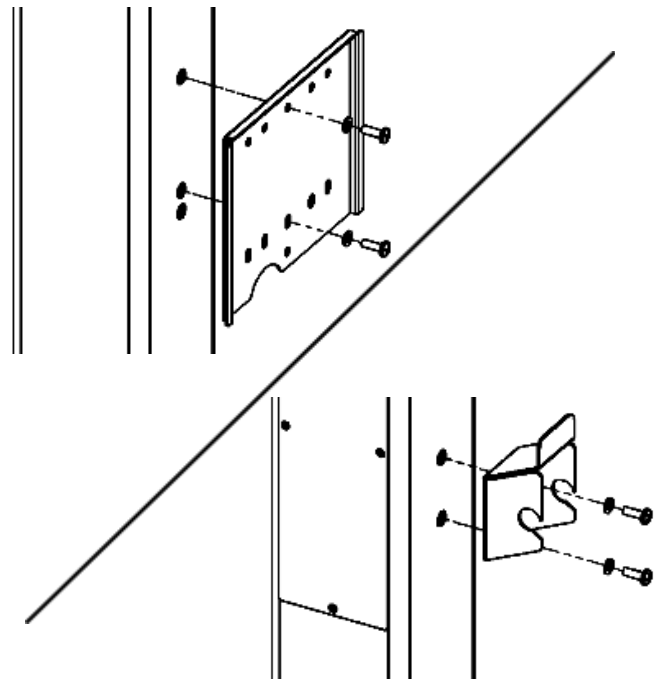
- 3** Drill anchor holes with 1/2" bit. Install (4X) wedge anchors to a minimum embedment of 2-1/4". Place pedestal on anchors.



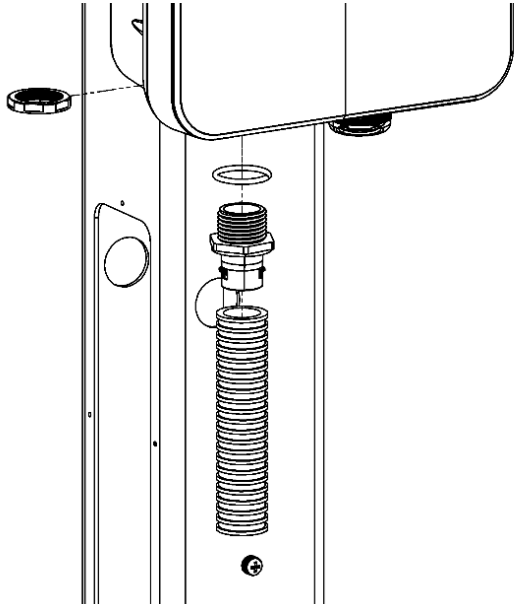
- 4** Level pedestal. Place (4X) washers and (4X) nuts. Torque nuts to 50-60 ft.-lbs. Install (4X) nut covers.



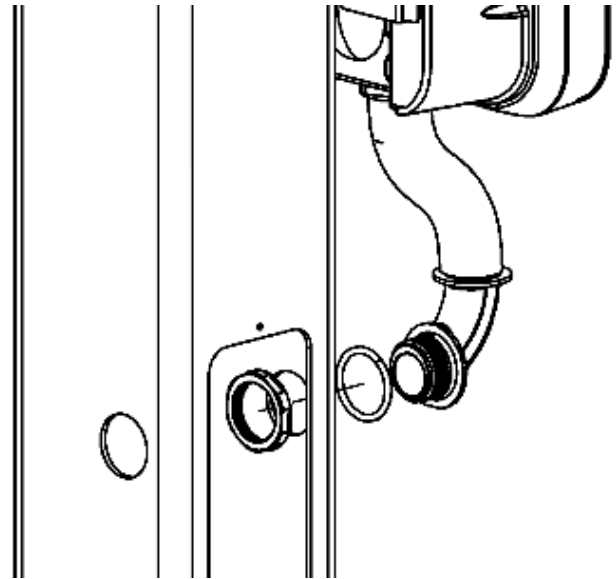
- 5** Install charger and saddle with (2X) 1/4-20 screws and (2X) 1/4" lock washers each.



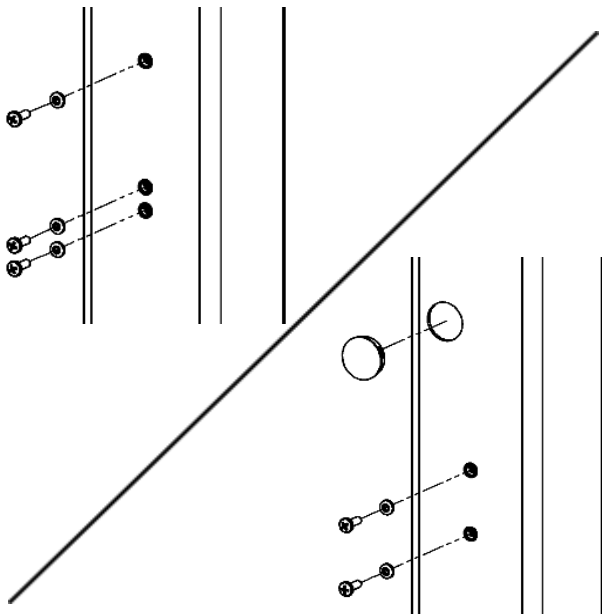
6 Attach straight conduit to the charger using the provided O-ring and locknut. Ensure a secure fit. Next, install the 6" conduit tube.



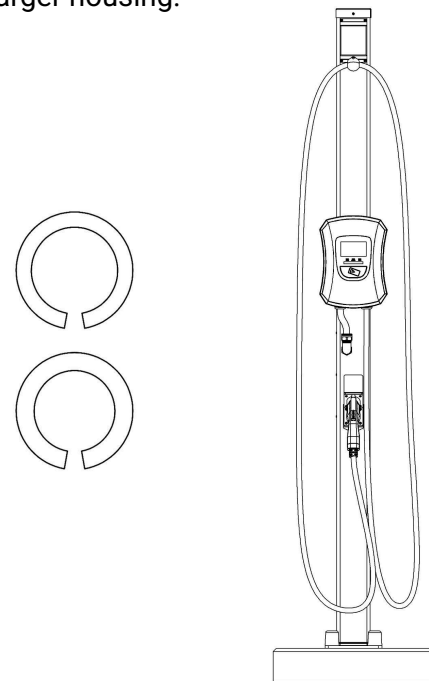
7 Install conduit elbow, O-ring and locknut. Follow Charger Installation Manual for input power cord installation.



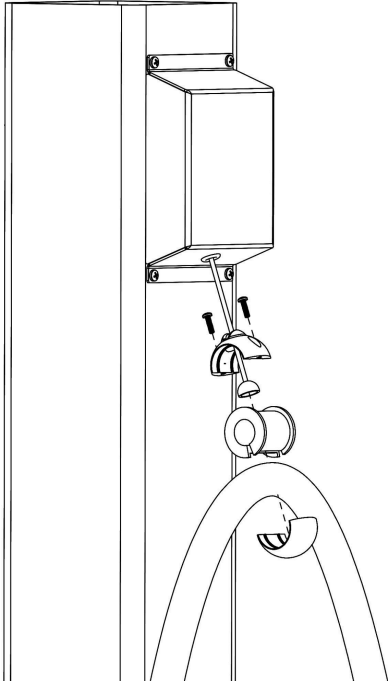
8 When utilizing only one side of the pedestal, seal holes with supplied plug and (5X) 1/4" and rubber washers using the same screws from step 5.



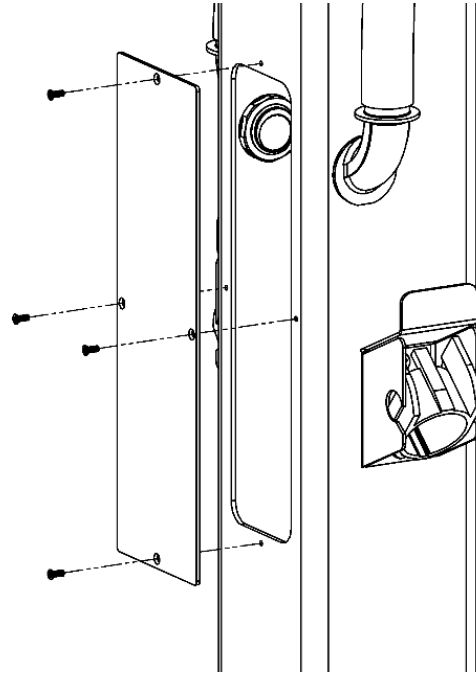
9 Choose insert size based on power cord diameter. Place clamp 8ft down from charger housing.



10 Install cable insert and attach hose clamp half to secure power cable. Fasten with (2X) #8 screws.



11 Install hand hole cover with (4X) #6 flat head screws.



12 Install top cap with (2X) #8 flat head screws

