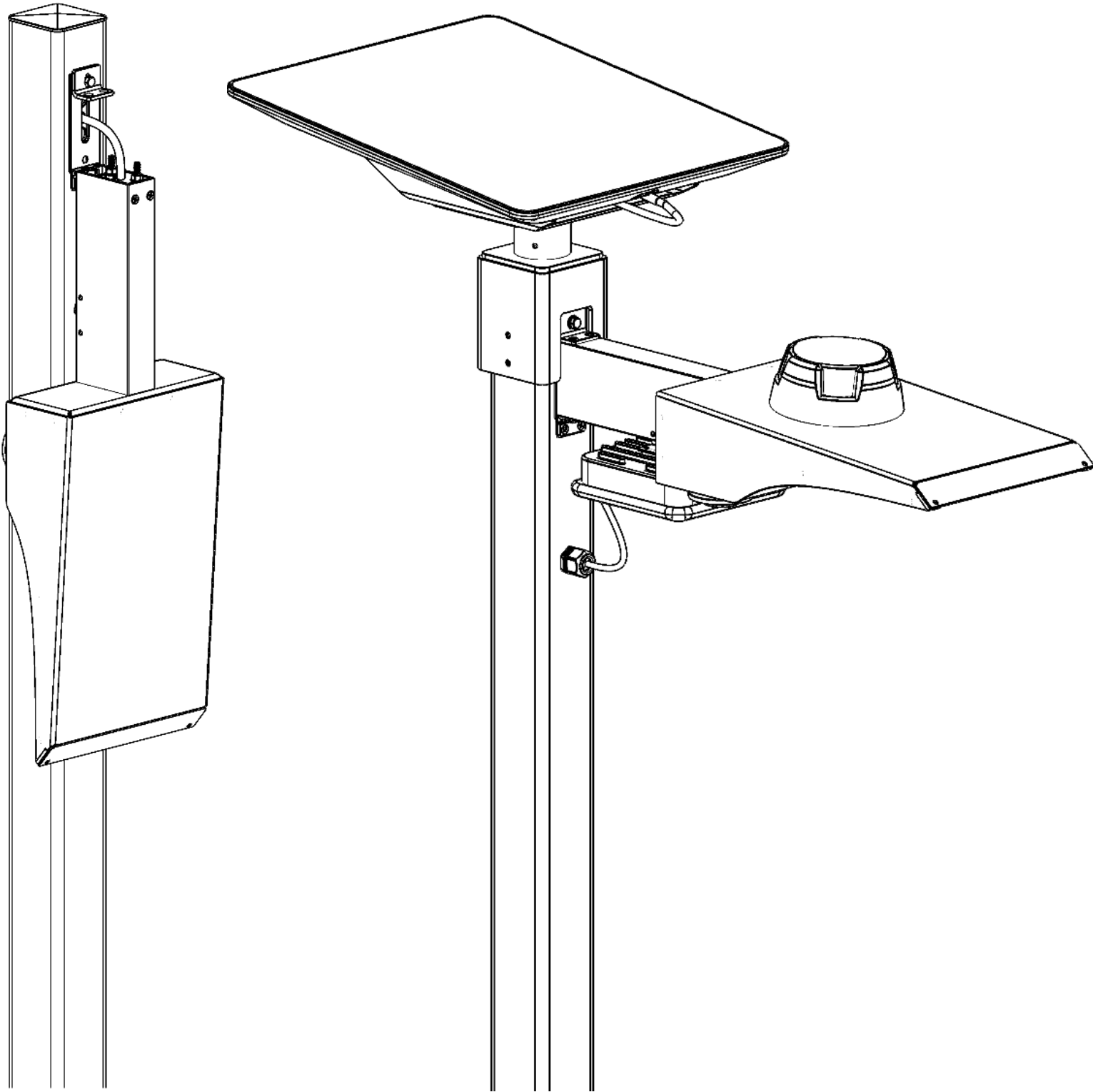
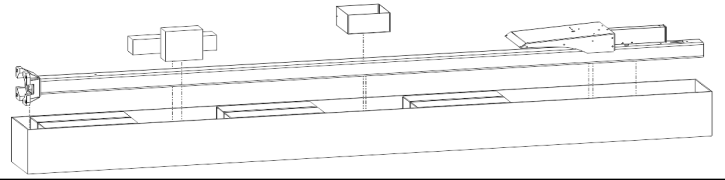


# Light Fixture Assembly-WiLL-NTX

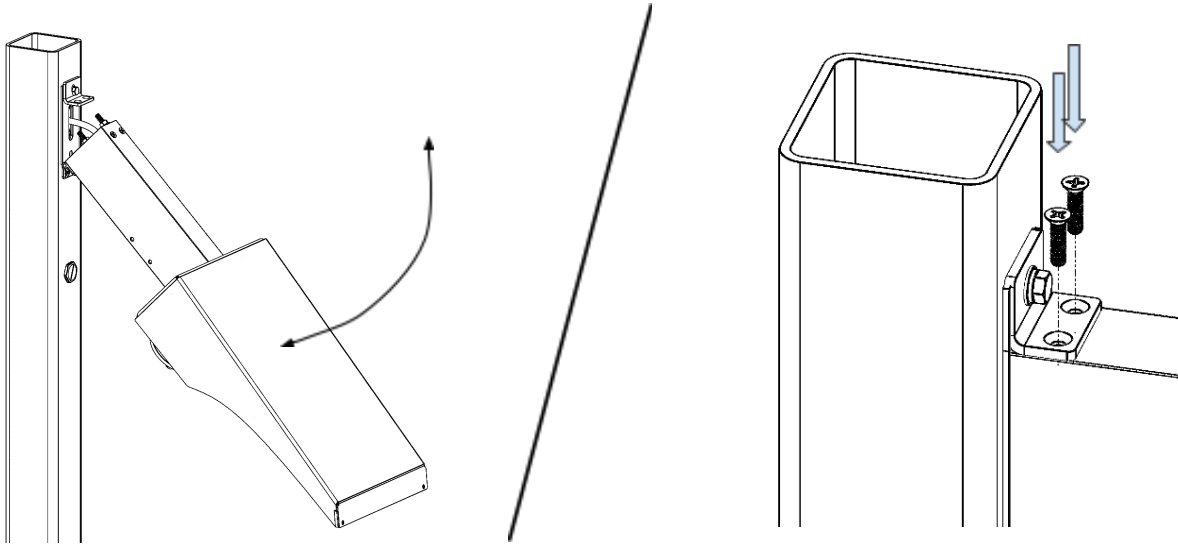
## Installation Manual



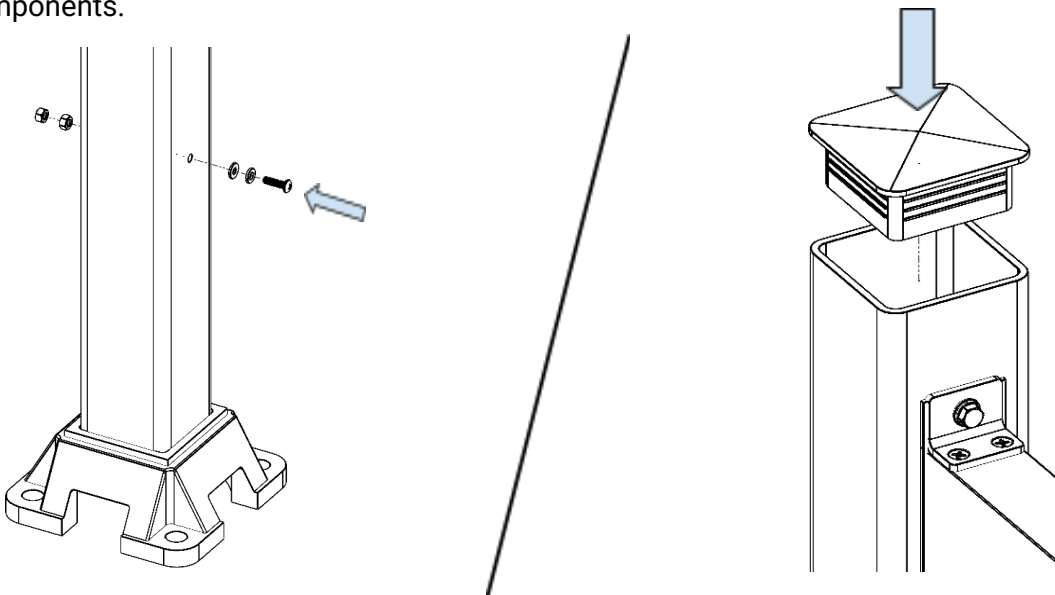
**1** Remove NTX and accessories from the box.



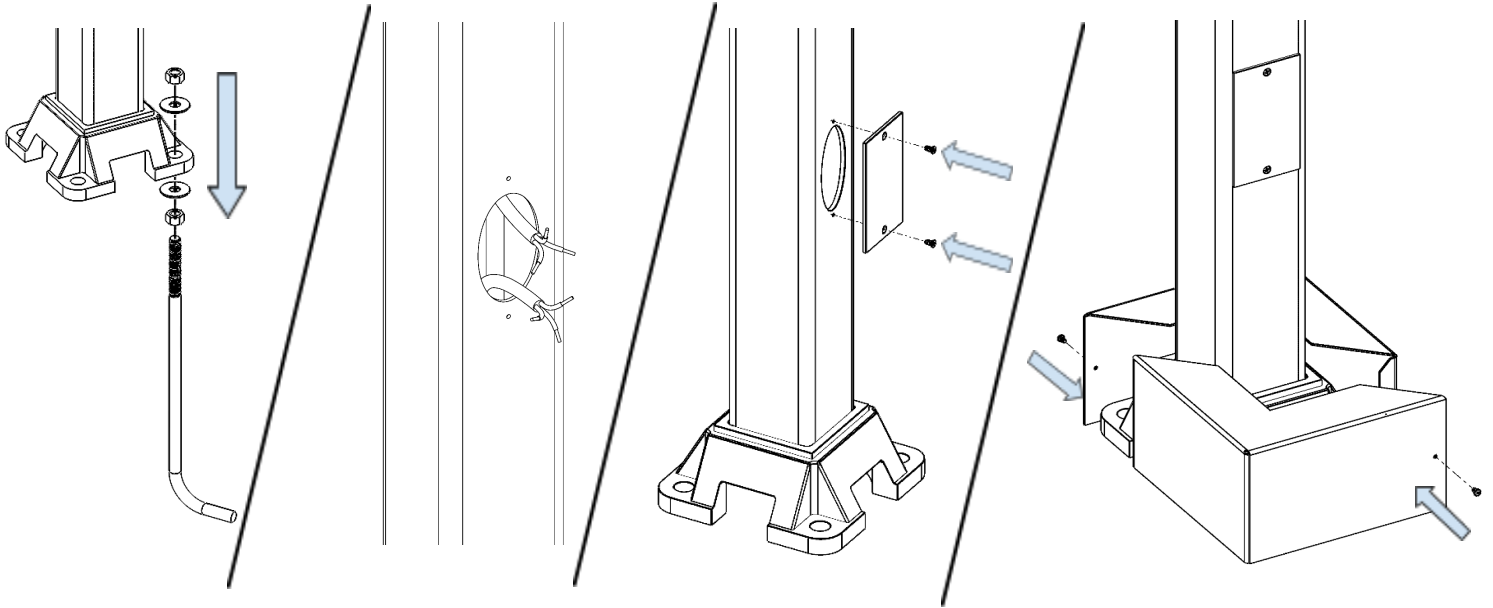
**2** Remove (2) 1/4-20 flat heads from the top of the fixture arm. Then unfold the light fixture. Fasten the top bracket with (1) 5/16" hex bolt (20 Nm torque) and (2) 1/4-20 flat head screws (9.5 Nm torque).



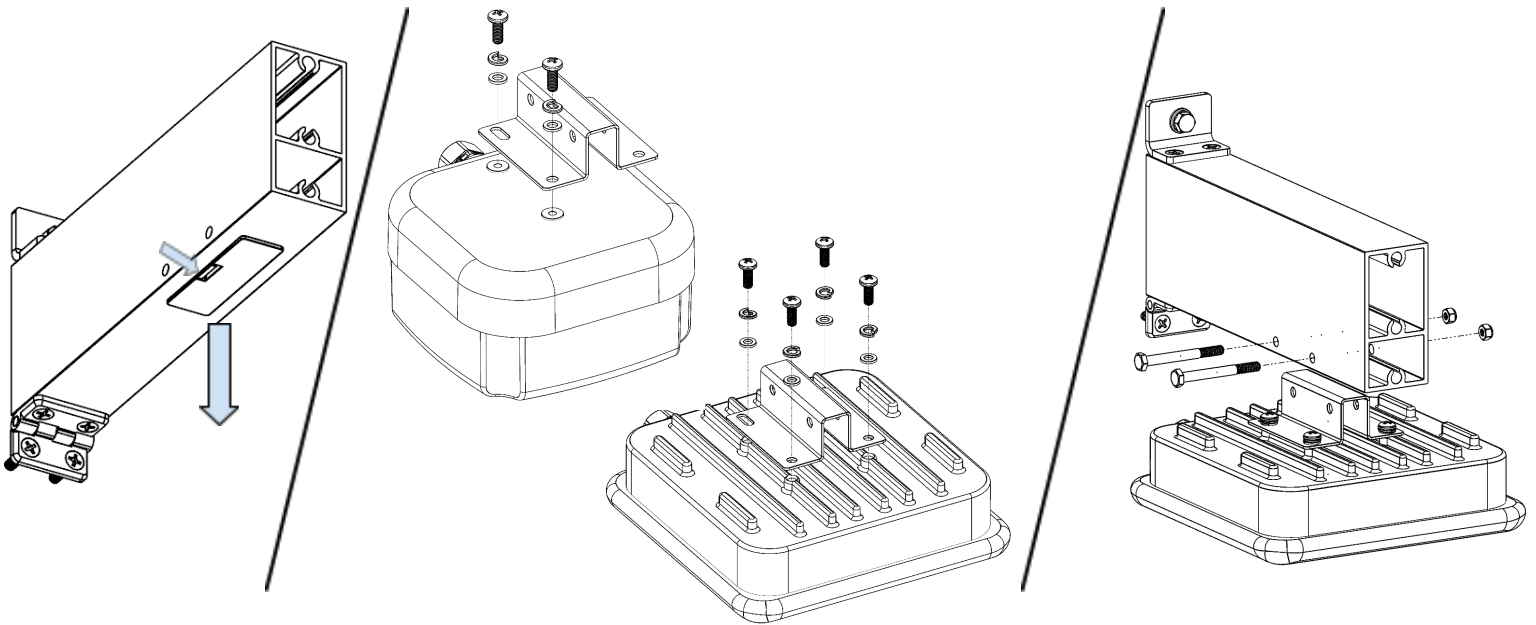
**3** Install (1) 1/4" ground lug (9.8 Nm torque), connect to Earth ground as needed. Install top cap using supplied components.



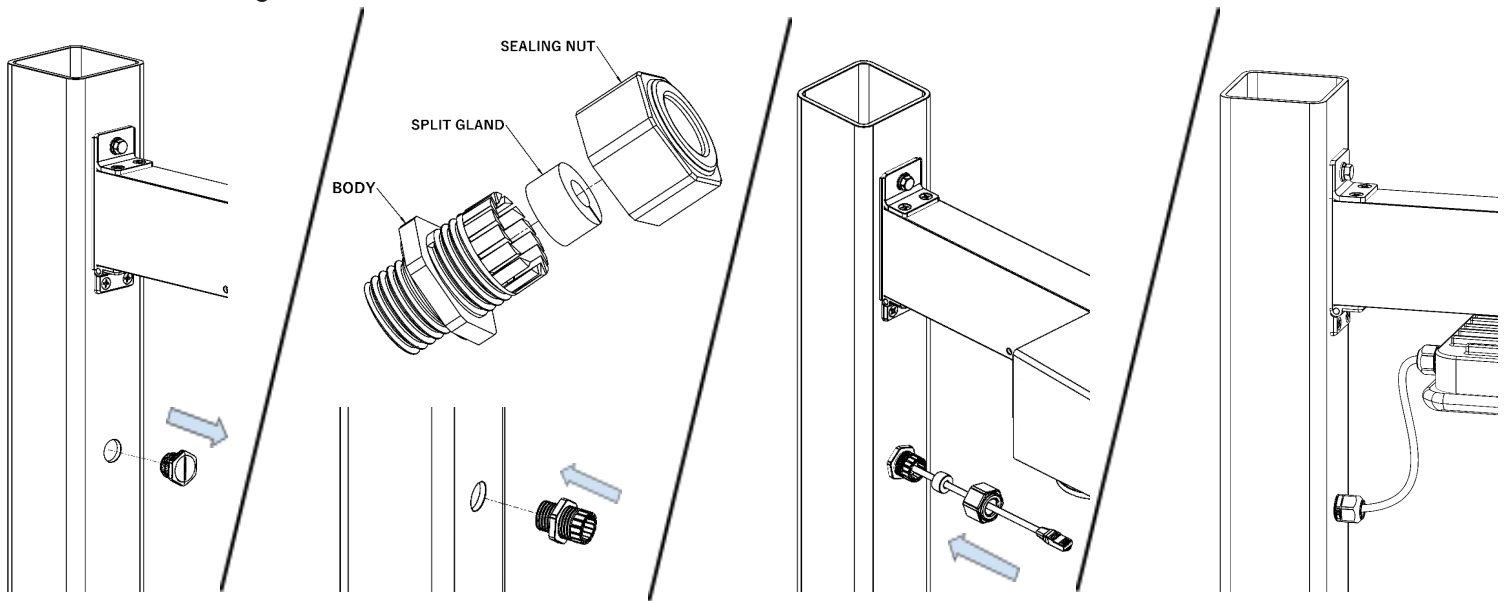
**4** Secure the pole to the anchor bolts. Complete the wiring connection inside the hand hole before attaching the cover (2.8 Nm torque). Then, install the base cover (1.5 Nm torque).



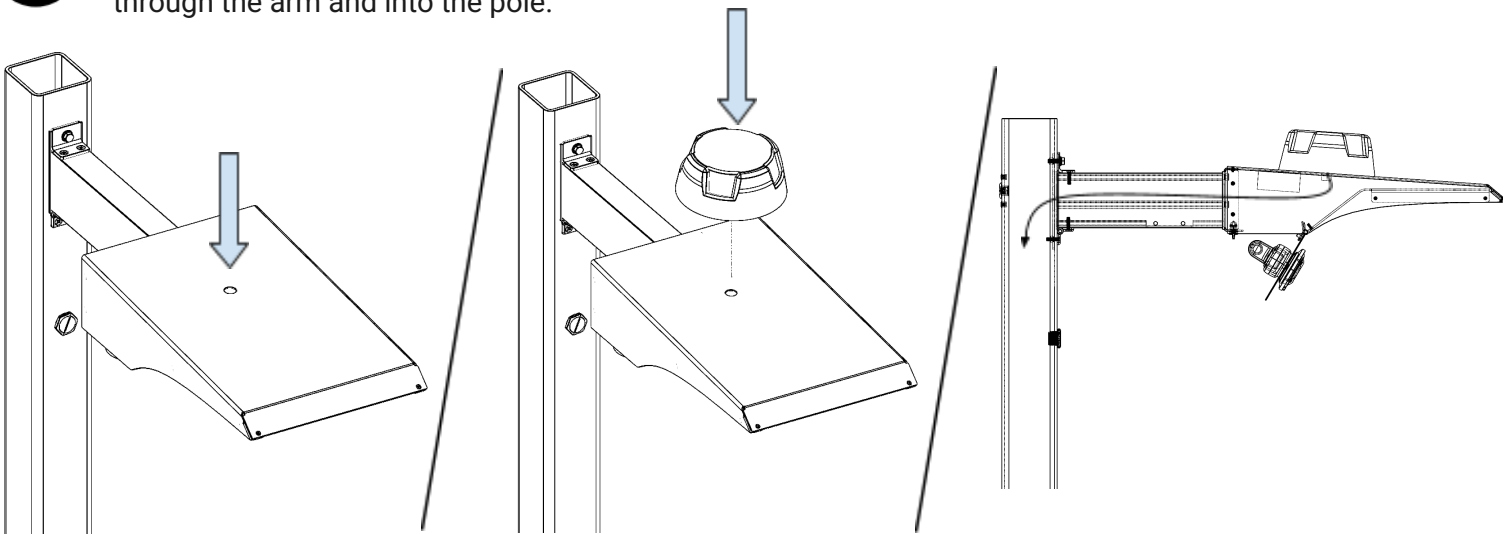
**5** (Optional) Remove cover. Attach mount to access point with M6 hardware (6 Nm torque) and secure the mount to the arm with (2) ¼-20 hardware (9.8 Nm torque).



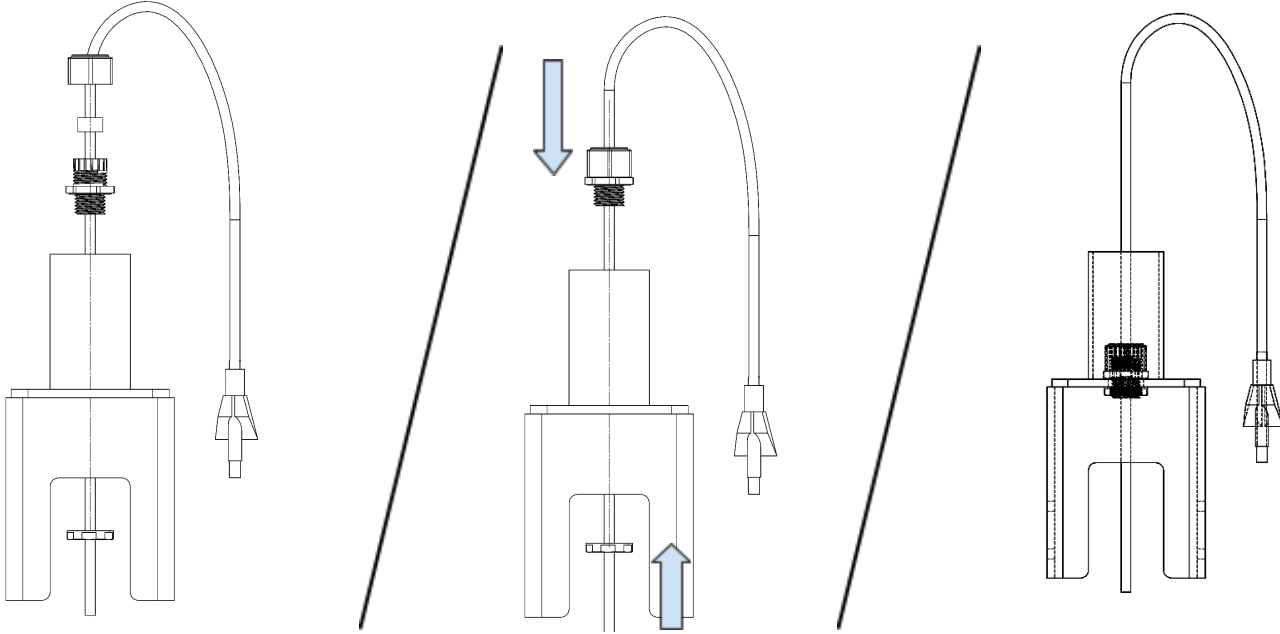
- 6** (Optional) Replace plug with cord grip body (9 Nm torque). Feed Cat5e cable through cord grip body, into the pole. Install split gland and sealing nut. Connect Cat5e to access point. Tighten sealing nut (9.6 Nm torque) at desired length.



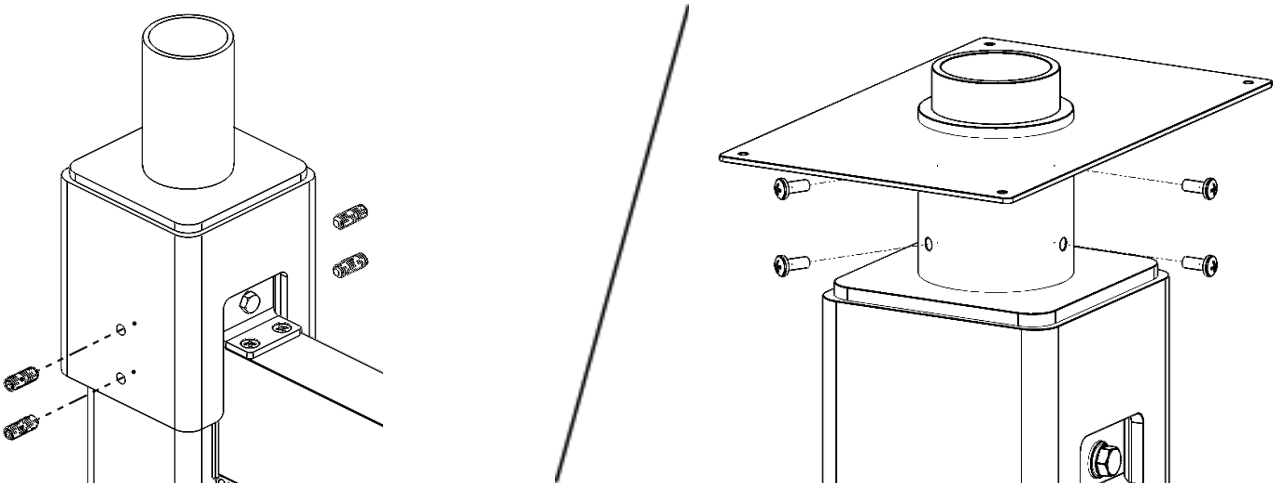
- 7** (Optional) Punch out knockout on top of the fixture. Attach antenna with nut (accessed through fixture door). Run wires through the arm and into the pole.



- 8** (Optional)  
 Feed the power supply end of the Starlink cable through the cord grip components and through the top of the tenon adapter. Tighten the cord grip (9.6 Nm torque), positioning it 2 feet from the dish end of the cable. Secure the cord grip by fastening the bottom nut (6.1 Nm torque).



- 9** (Optional)  
 Fasten tenon adapter over top of pole using (4) set screws (20 Nm torque). Then fasten Starlink Flat High Performance Pipe Adapter to the tenon in the preferred orientation using (6) M6 pan heads (5 Nm torque).



- 10** (Optional)  
 Follow Starlink directions for full installation from here.