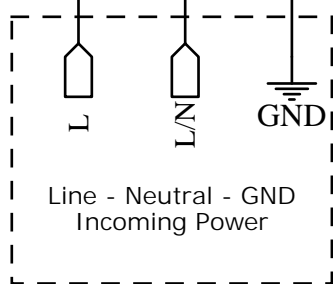
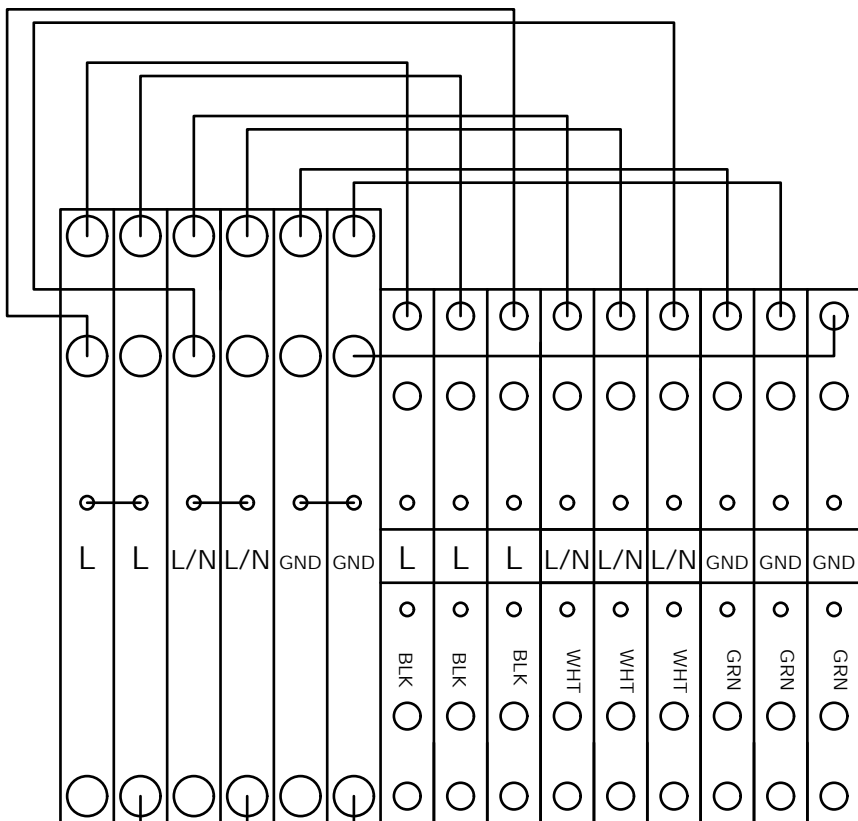
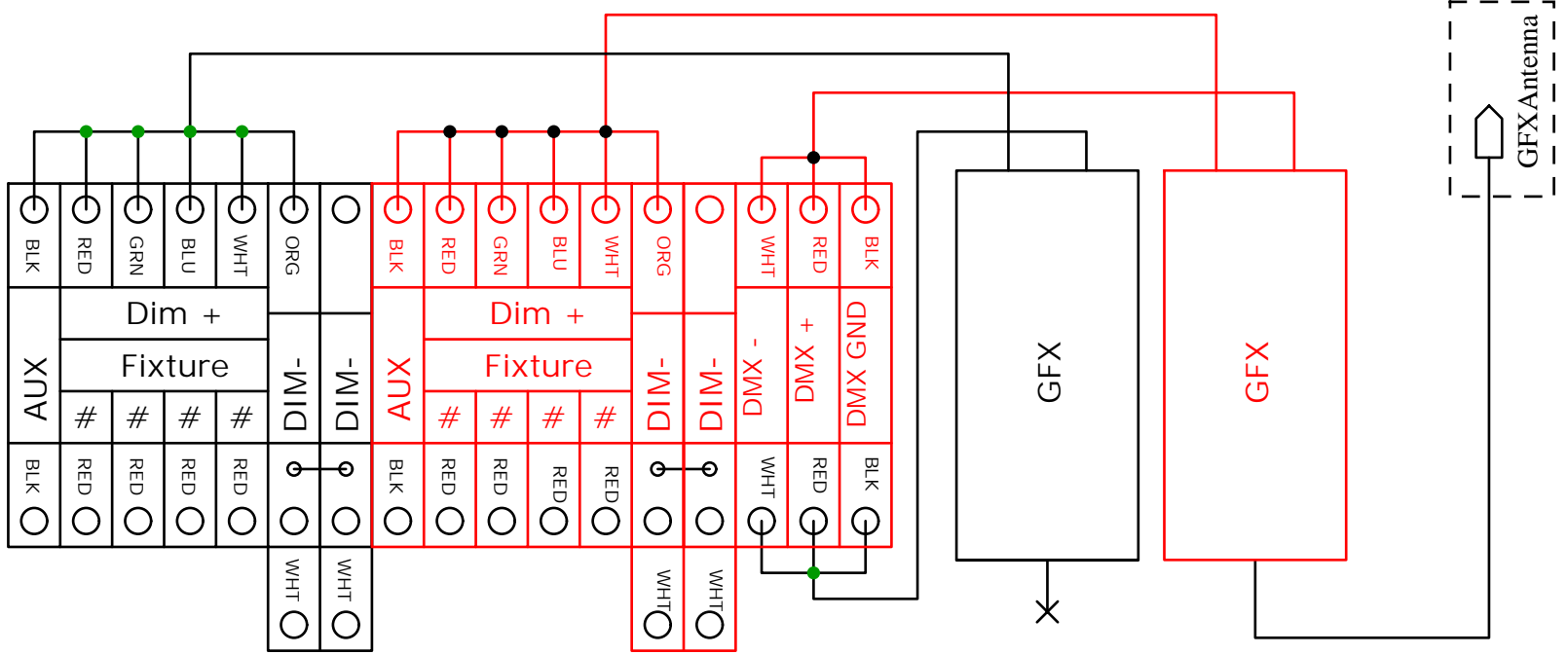
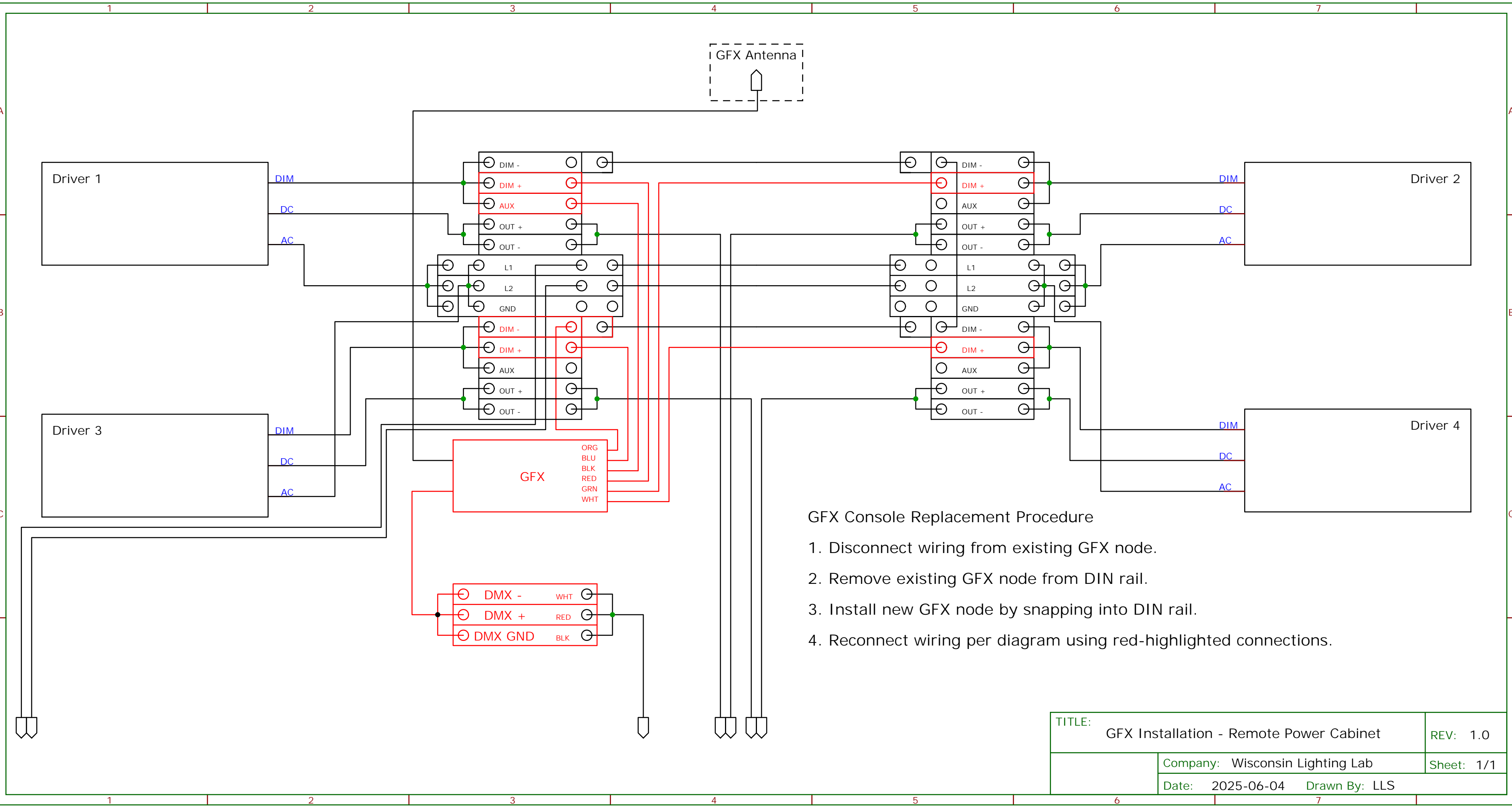


GFX Console Replacement Procedure

1. Disconnect wiring from existing GFX node.
2. Remove existing GFX node from DIN rail.
3. Install new GFX node by snapping into DIN rail.
4. Reconnect wiring per diagram using red-highlighted connections.



TITLE: GFX Installation - Power Distribution Hub		REV: 1.0
Company: Wisconsin Lighting Lab		Sheet: 1/1
Date: 2025-06-04	Drawn By: LLS	



GFX Antenna

Driver 1

Driver 2

Driver 3

Driver 4

GFX
 ORG
 BLU
 BLK
 RED
 GRN
 WHT

DMX - WHT
 DMX + RED
 DMX GND BLK

GFX Console Replacement Procedure

1. Disconnect wiring from existing GFX node.
2. Remove existing GFX node from DIN rail.
3. Install new GFX node by snapping into DIN rail.
4. Reconnect wiring per diagram using red-highlighted connections.

TITLE: GFX Installation - Remote Power Cabinet		REV: 1.0
Company: Wisconsin Lighting Lab		Sheet: 1/1
Date: 2025-06-04	Drawn By: LLS	