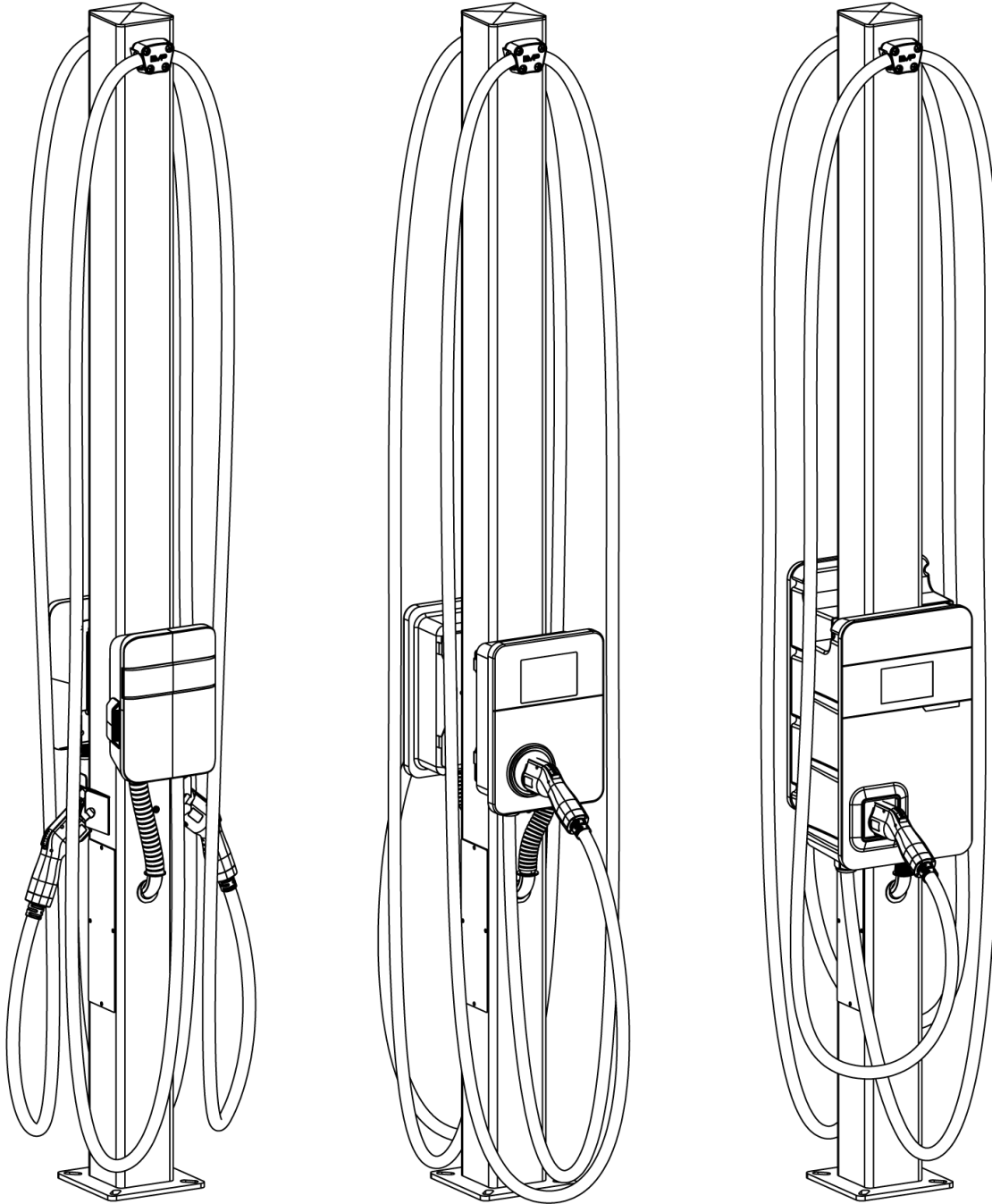


EVPassport Charging Pedestal

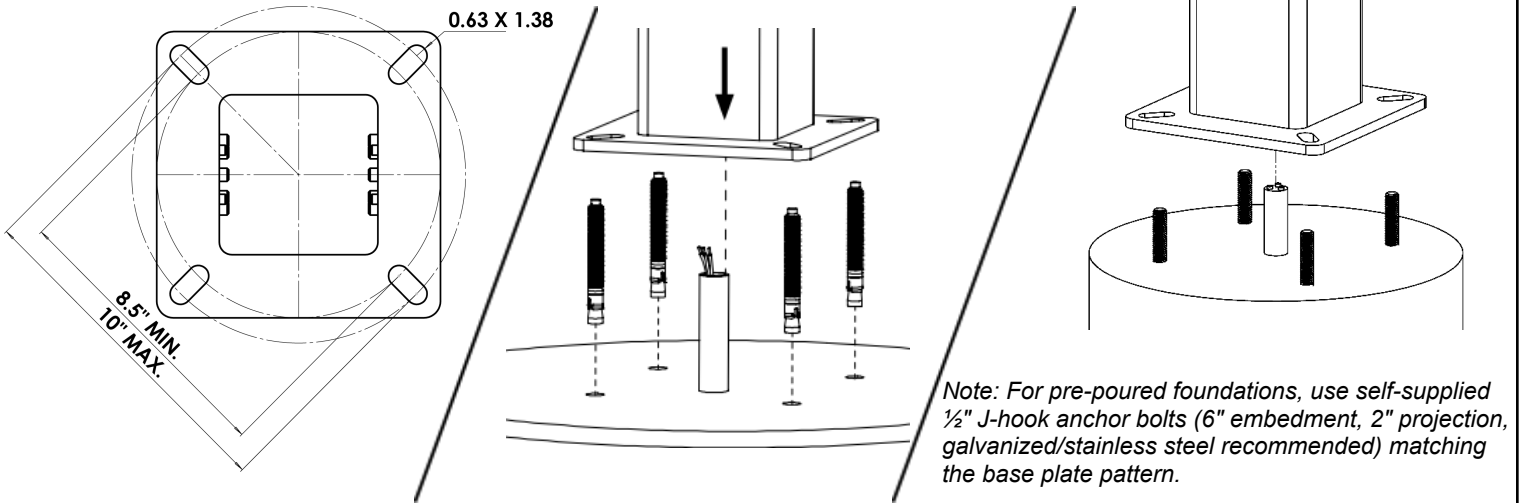
EVPCP-D8-HPM

Installation Manual

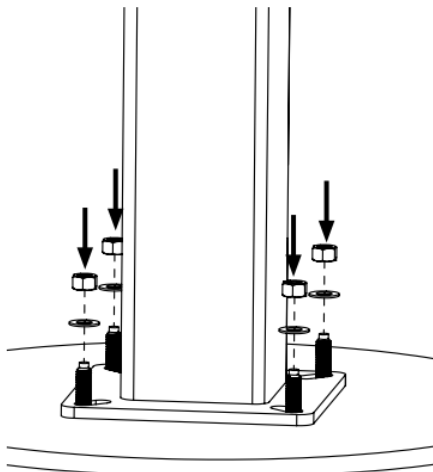


1 Unpack & Inspect:
Remove pedestal and accessory kit from the packaging.
Verify all parts are present.

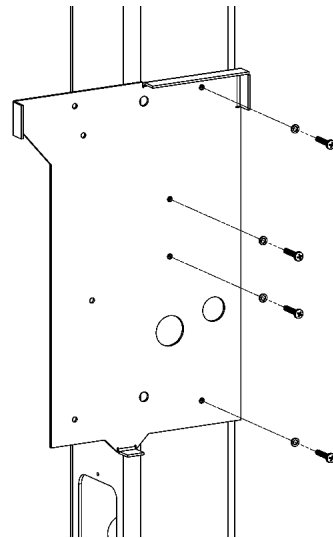
2 Locate & Install Anchors:
Position base plate on mounting surface to mark anchor locations.
Drill four (4) anchor holes with ½" bit, minimum embedment depth: 2-¼".
Install four (4) wedge anchors.



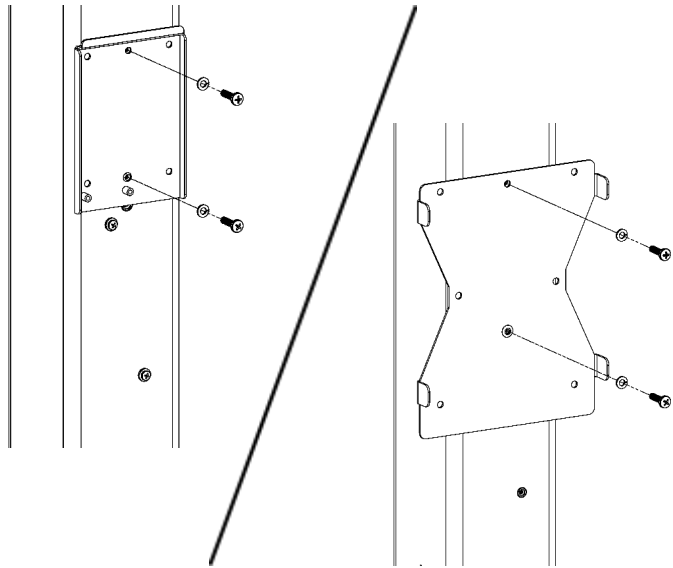
3 Mount Pedestal:
Level pedestal.
Install (4) flat washers and (4) nuts.
Torque nuts to 50-60 ft.-lbs.
Install (4) nut covers.



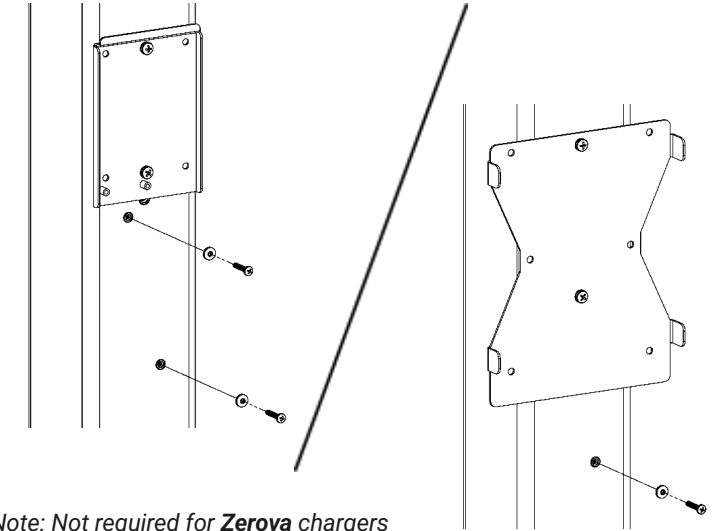
4 Mount Charger:
Zerova: Use (4) #10-32 screws and (4) #10 lock washers.



4 Mount Charger:
LiteOn / Fractal: Use (2) ¼-20 screws and (2) ¼" lock washers.

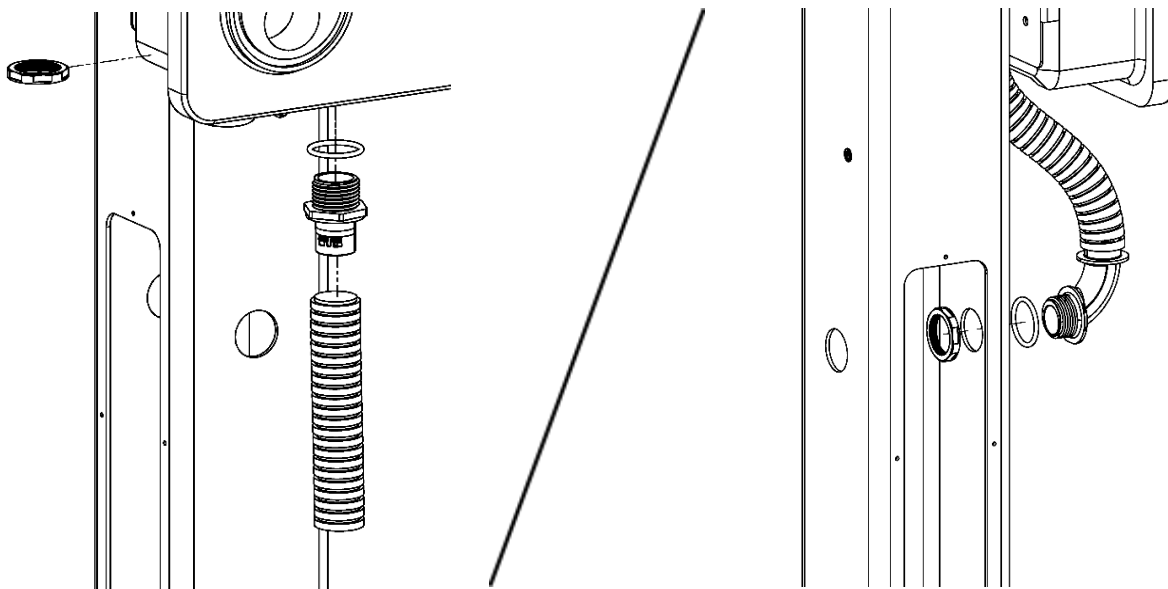


5 Sealing Mounting Holes:
 Using the same screw from Step 4, install supplied #10 rubber sealing washers in any unused charger mounting holes.



Note: Not required for Zerova chargers

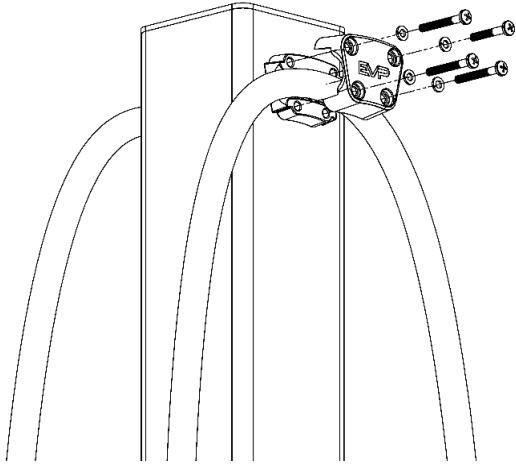
6 Conduit & Cable Routing:
 Attach straight conduit to the charger using supplied O-ring and locknut. O-ring between conduit fitting and charger face; locknut inside.
 Install corrugated tube: **LiteOn** use supplied 9.5", **Fractal** cut to 7", **Zerova** cut to 3"
 Install conduit elbow, O-ring, and locknut.
 Follow the charger installation manual for input power cord connection.



7

Cable Clamp Installation:

Secure cable with supplied clamp and (4) 1/4-20 screws and (4) 1/4" lock washers.

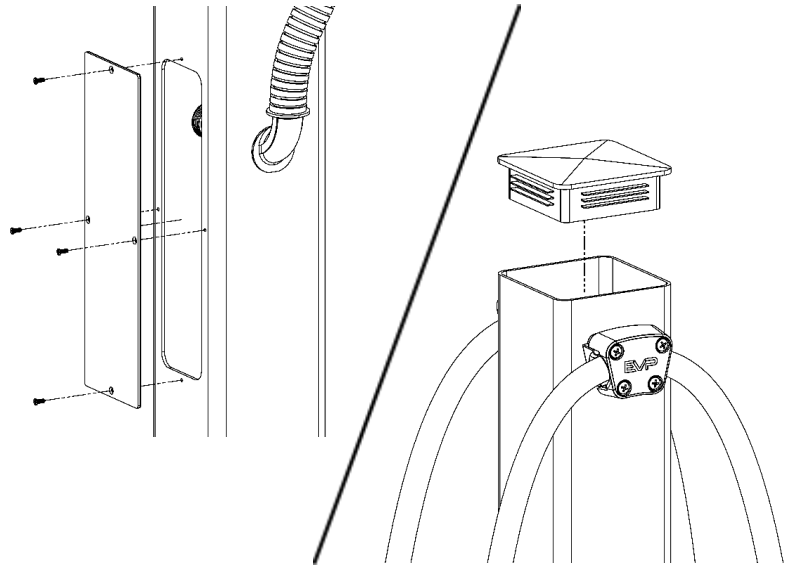


Note: Secure the cable near the midpoint of its length. Cable should not rest on the ground. If there is excess slack, adjust so more length is available on the handle side.

8

Hand Hole Cover & Top Cap:

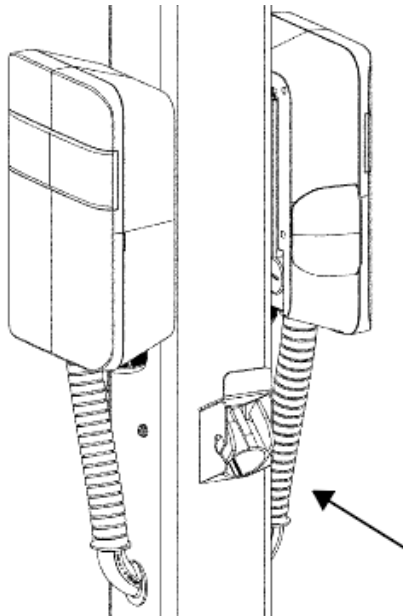
Install hand hole cover using (4) #6 flat head screws. Install plastic push-in top cap



9

Saddle for Charger Handle:

Drill mounting holes for the saddle of the charger when using a **LiteOn** charger. Use self tapping hardware (not supplied) to secure the saddle to the pedestal.



10

Single-Side Use Only:

Seal unused charger mounting holes with the (7) 1/4" rubber washers and (4) #10 rubber washers. Secure with the same screw type from Step 4. Seal unused conduit hole with supplied plug.

