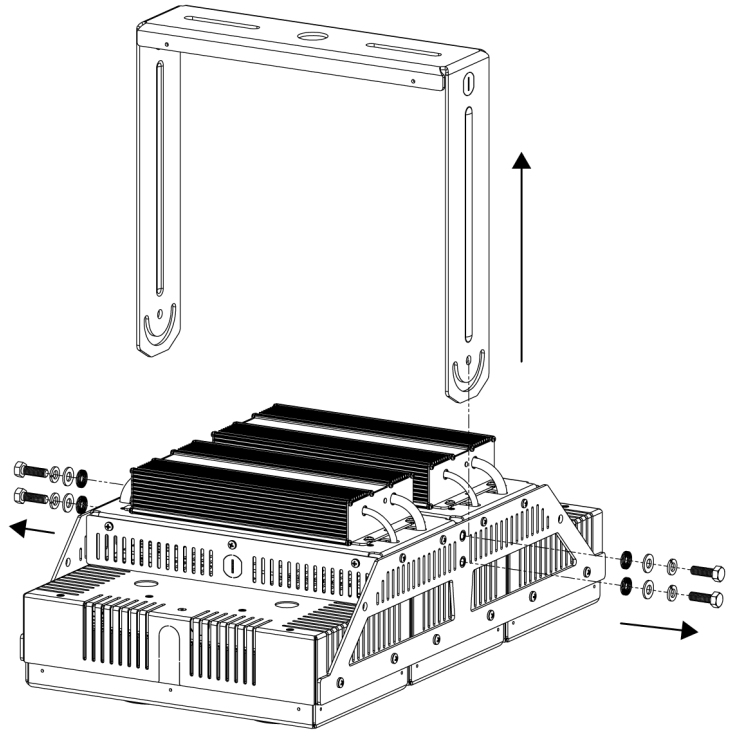


1

Remove Existing Harp Mount:

Remove (4) **5/16"** bolts securing the harp mount.

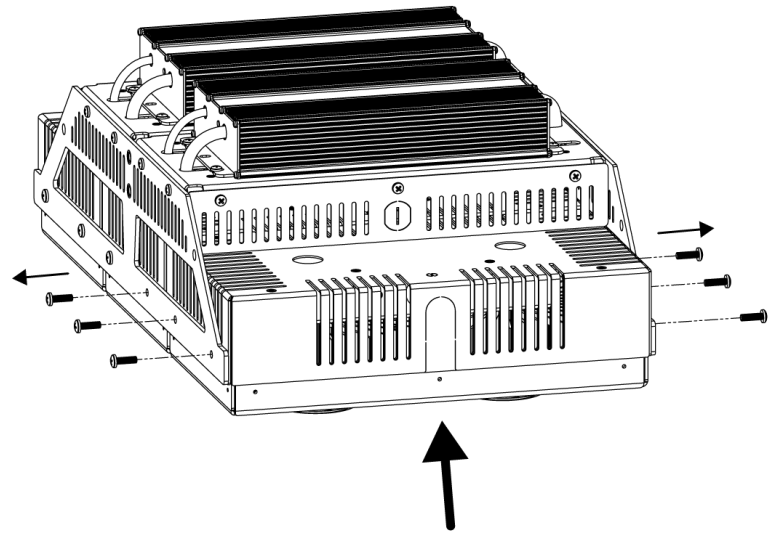
Retain bolts/washers if required for reinstallation.



2

Remove Existing Side Screws:

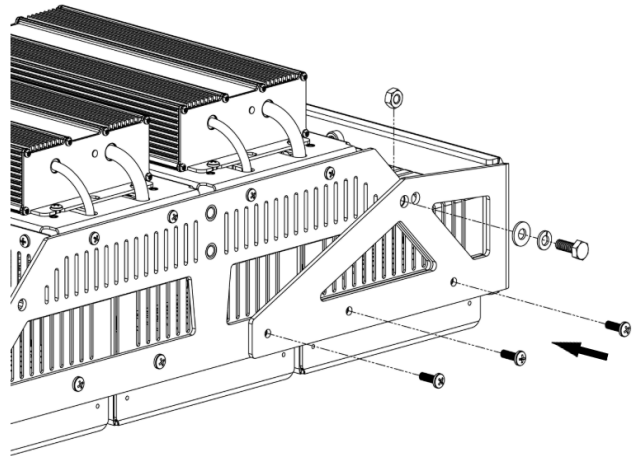
Support the bottom of the fixture and remove (6) screws.



3

Install New Mount:

Insert supplied mounting bolt through side brackets, position new harp mount, and secure with remaining hardware.



4

Install APY Mount:

Attach APY mount per existing instruction sheet.

Mounting – Pre-Aimed Sports Mount

1. Fasten fixture to pole bracket by installing the 5/8" mounting hardware.
2. Align the front edge of the mount with the crossarm bracket.
3. Torque 5/8" bolt to 150 ft-lbs.

